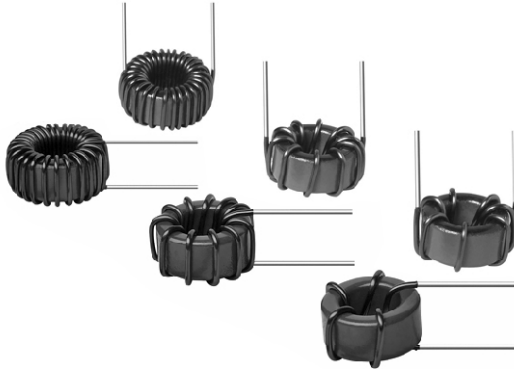


Toroid, High Current, High Temperature



FEATURES

- Printed circuit mounting
- Toroid design reduces EMI
- Vertical or horizontal mounting to optimize P.C. board layout
- High temperature rating of 200 °C - no aging
- 100 % lead (Pb)-free and RoHS compliant


RoHS
COMPLIANT

APPLICATIONS

- Switching power supplies
- EMI/RFI filtering
- Output chokes

STANDARD ELECTRICAL SPECIFICATIONS in inches [millimeters]

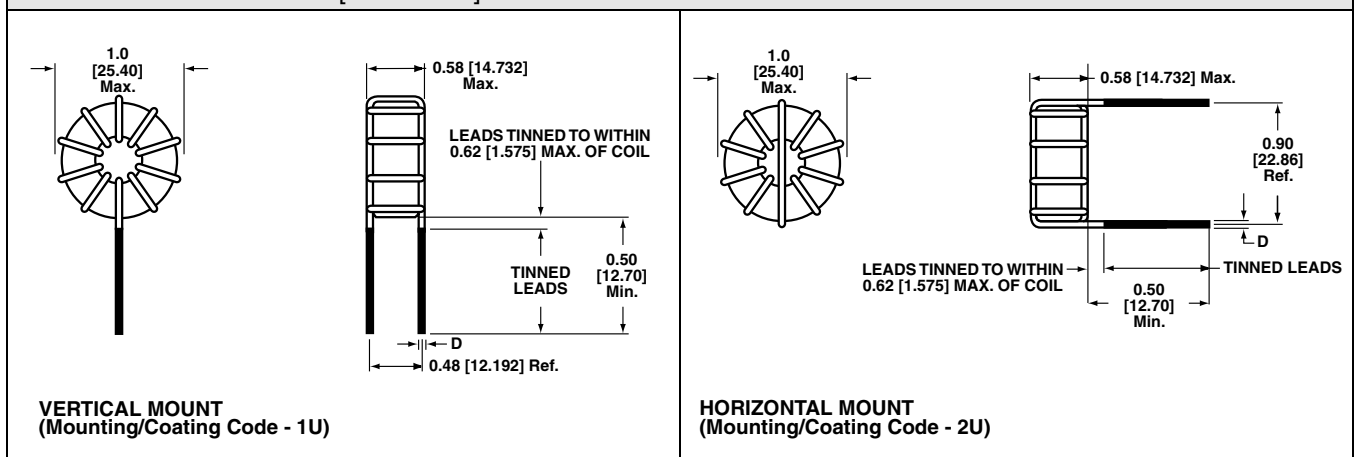
INDUCTANCE (μ H) L_0	TOLERANCE	DCR (VERTICAL MOUNT)		DCR (HORIZONTAL MOUNT)		RATED CURRENT ⁽¹⁾ VERTICAL MOUNT (AMPS)	RATED CURRENT ⁽¹⁾ HORIZONTAL MOUNT (AMPS)	SATURATION CURRENT ⁽²⁾ (AMPS)	LEAD DIAMETER D
		Ω TYP.	Ω MAX.	Ω TYP.	Ω MAX.				
0.47	20 %	0.0016	0.0024	0.0022	0.003	36	30	50	0.053 [1.346]
1.2	20 %	0.0028	0.0032	0.0032	0.0035	28	24	33	0.053 [1.346]
2.2	20 %	0.0036	0.0042	0.0042	0.0048	23	22	22	0.053 [1.346]
3.9	20 %	0.0045	0.0058	0.005	0.006	21	19.5	18	0.053 [1.346]
4.7	20 %	0.005	0.0064	0.0055	0.007	19	18.5	15	0.053 [1.346]
6.8	20 %	0.006	0.0074	0.0065	0.0078	18	17	14	0.053 [1.346]
10	20 %	0.0075	0.011	0.0084	0.012	15.8	15.5	10	0.053 [1.346]
22	20 %	0.015	0.019	0.016	0.02	10.8	10.5	7	0.042 [1.067]
39	20 %	0.02	0.025	0.022	0.028	9.2	9.1	5	0.042 [1.067]
100	20 %	0.05	0.069	0.054	0.075	5.5	5.5	3.0	0.034 [0.864]
470	20 %	0.17	0.29	0.175	0.3	2.8	2.8	1.5	0.027 [0.686]

Note

1. DC current that will cause an approx. ΔT of 50 °C
2. DC current that will cause L_0 to drop approx. 20 %

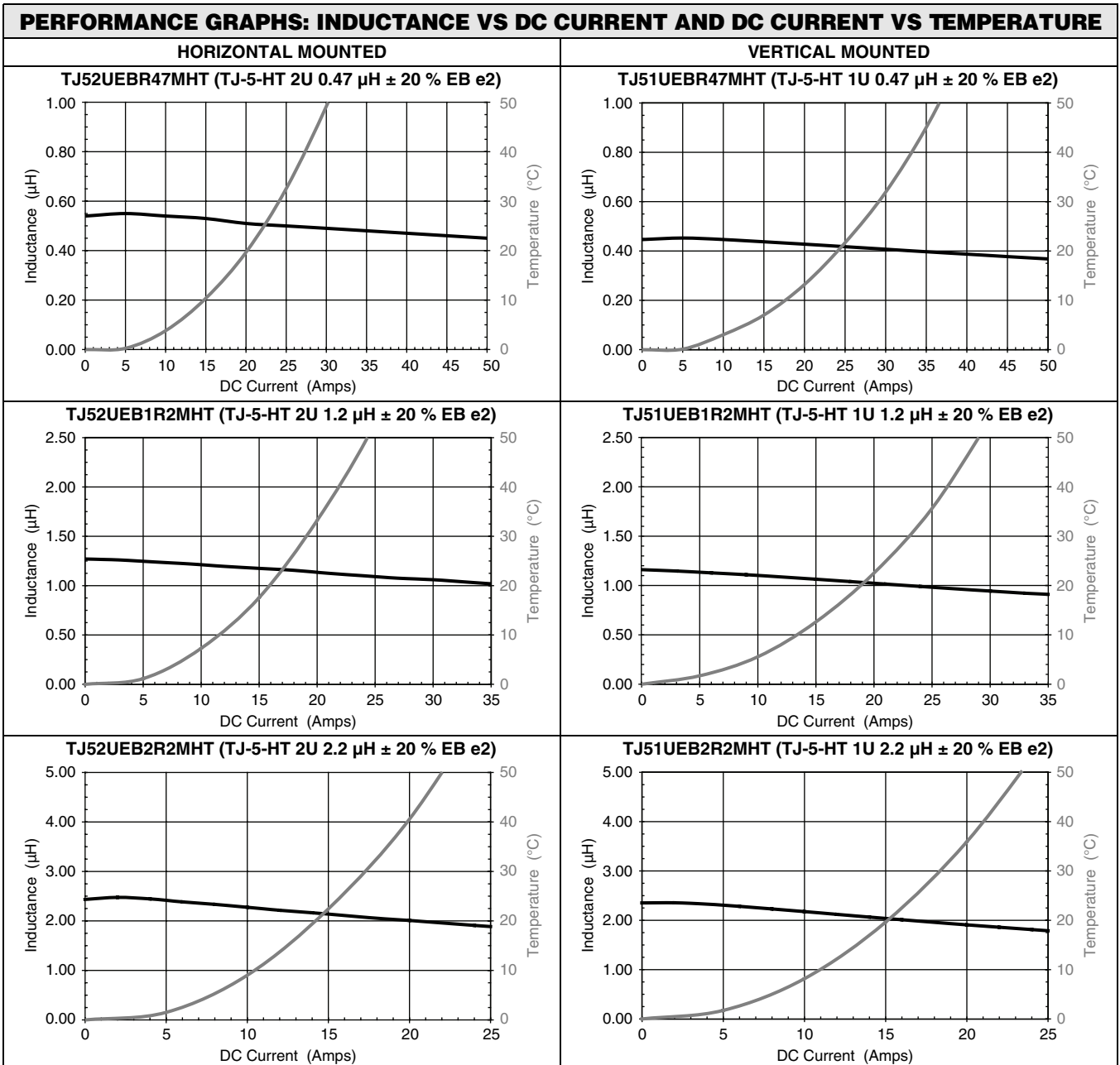
Operating Temperature (ambient + ΔT): - 55 °C to + 200 °C
 Inductance tested at 0.25 V_{RMS} , 1 kHz
 DCR tested at 25 °C \pm 5 °C
 All material rated at 200 °C

DIMENSIONS in inches [millimeters]



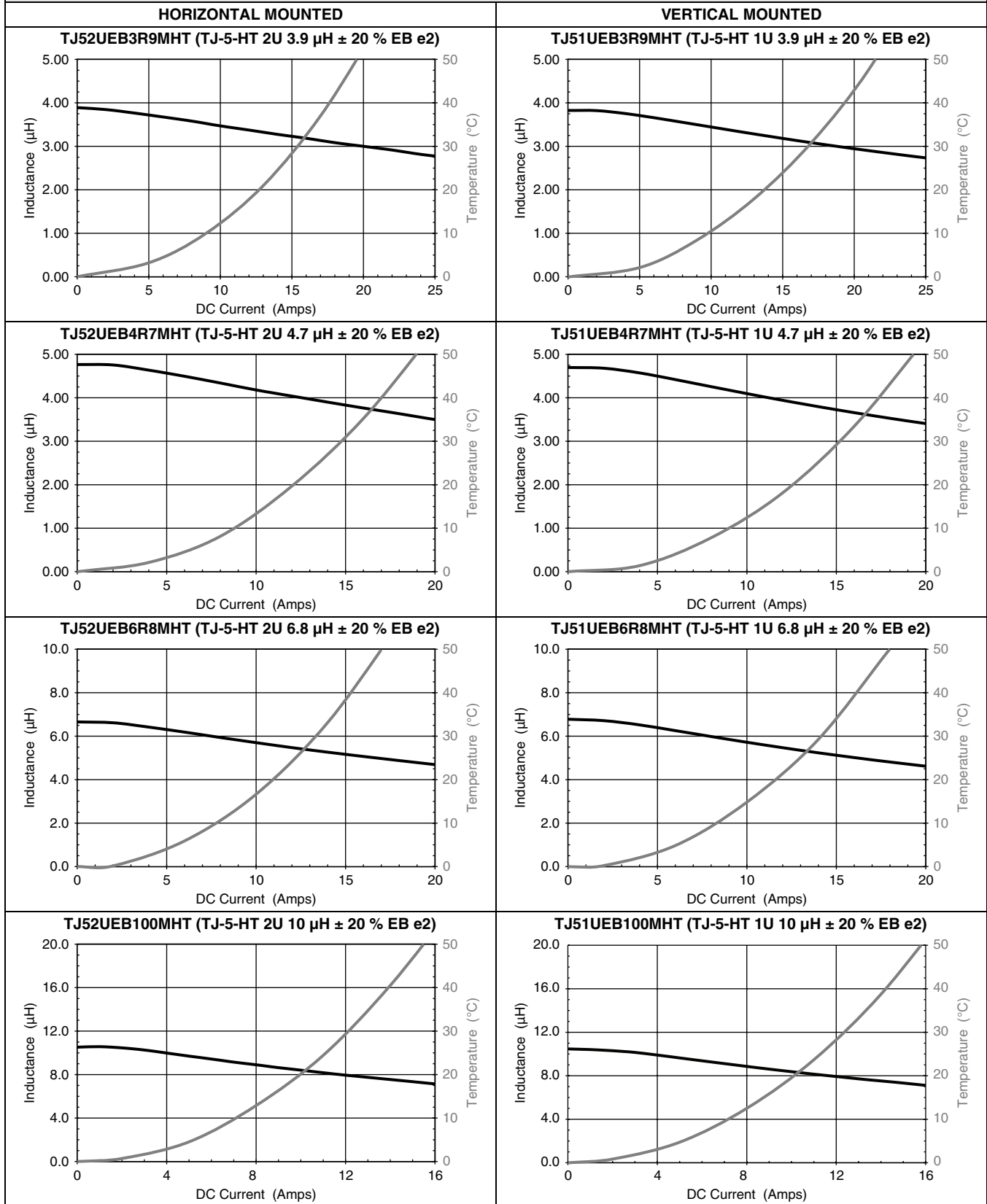


DESCRIPTION					
TJ5-HT MODEL	1U MOUNTING/COATING CODE	10 μ H INDUCTANCE VALUE	\pm 20 % INDUCTANCE TOLERANCE	EB PACKAGE CODE	e2 JEDEC LEAD (Pb)-FREE STANDARD
GLOBAL PART NUMBER					
T MODEL	J MOUNTING/COATING CODE	5 MOUNTING/COATING CODE	1 PACKAGE CODE	U PACKAGE CODE	E INDUCTANCE VALUE
1 INDUCTANCE VALUE	0 INDUCTANCE VALUE	0 INDUCTANCE VALUE	M INDUCTANCE TOLERANCE	H SERIES	T SERIES



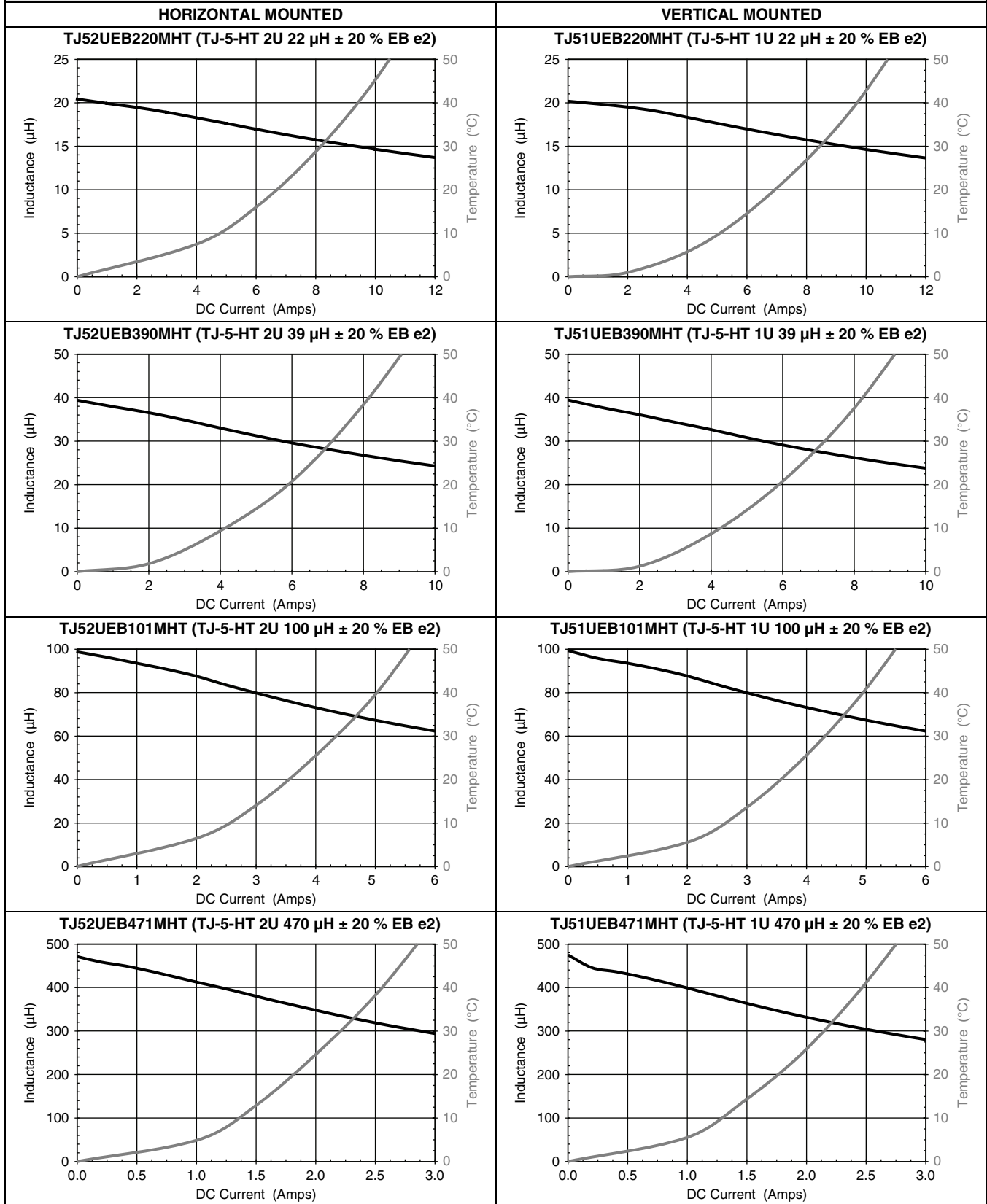


PERFORMANCE GRAPHS: INDUCTANCE VS DC CURRENT AND DC CURRENT VS TEMPERATURE





PERFORMANCE GRAPHS: INDUCTANCE VS DC CURRENT AND DC CURRENT VS TEMPERATURE





Disclaimer

All product specifications and data are subject to change without notice.

Vishay Intertechnology, Inc., its affiliates, agents, and employees, and all persons acting on its or their behalf (collectively, "Vishay"), disclaim any and all liability for any errors, inaccuracies or incompleteness contained herein or in any other disclosure relating to any product.

Vishay disclaims any and all liability arising out of the use or application of any product described herein or of any information provided herein to the maximum extent permitted by law. The product specifications do not expand or otherwise modify Vishay's terms and conditions of purchase, including but not limited to the warranty expressed therein, which apply to these products.

No license, express or implied, by estoppel or otherwise, to any intellectual property rights is granted by this document or by any conduct of Vishay.

The products shown herein are not designed for use in medical, life-saving, or life-sustaining applications unless otherwise expressly indicated. Customers using or selling Vishay products not expressly indicated for use in such applications do so entirely at their own risk and agree to fully indemnify Vishay for any damages arising or resulting from such use or sale. Please contact authorized Vishay personnel to obtain written terms and conditions regarding products designed for such applications.

Product names and markings noted herein may be trademarks of their respective owners.